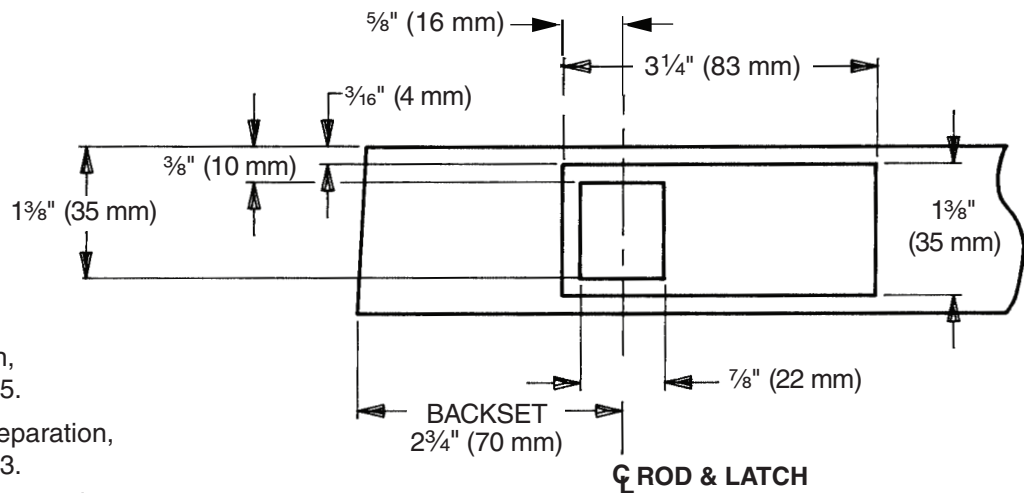
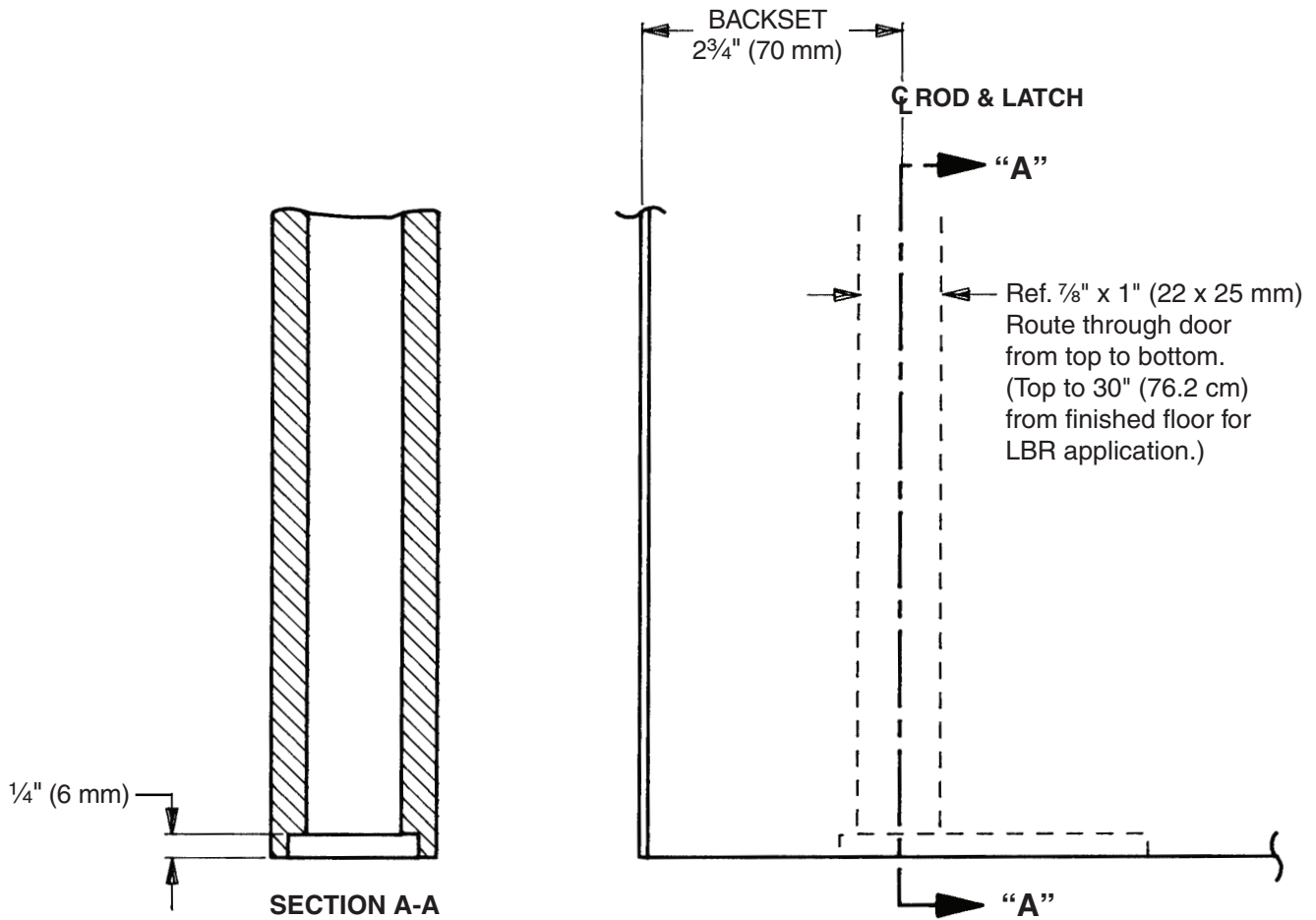


(F)17-C and (F)18-C Concealed Bottom Bolt Preparation

Panic and Exit Device (Fire Rated Device - No Metal Channel - Top Latch Reinforcing Plates Construction 20 Minute), Wood Door, LHR Shown, RHR Opposite



- For top latch preparation, refer to Template W-1155.
- For (F)17 centerslide preparation, refer to Template W-1153.
- For outside trim, see trim template for door preparation.
- For Less Bottom Rod (LBR) application omit this preparation. On fire rated applications, refer to Template W-5494 for auxiliary fire latch preparation.

TEMPLATE
W-1156-a