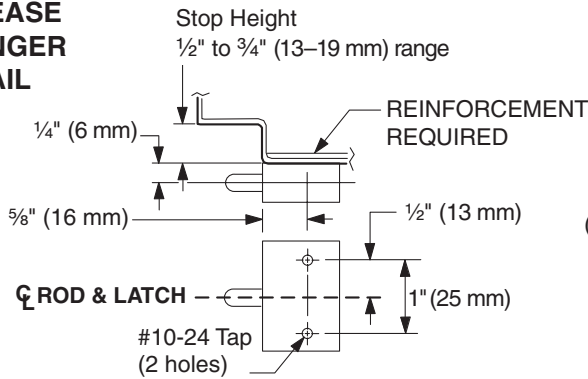


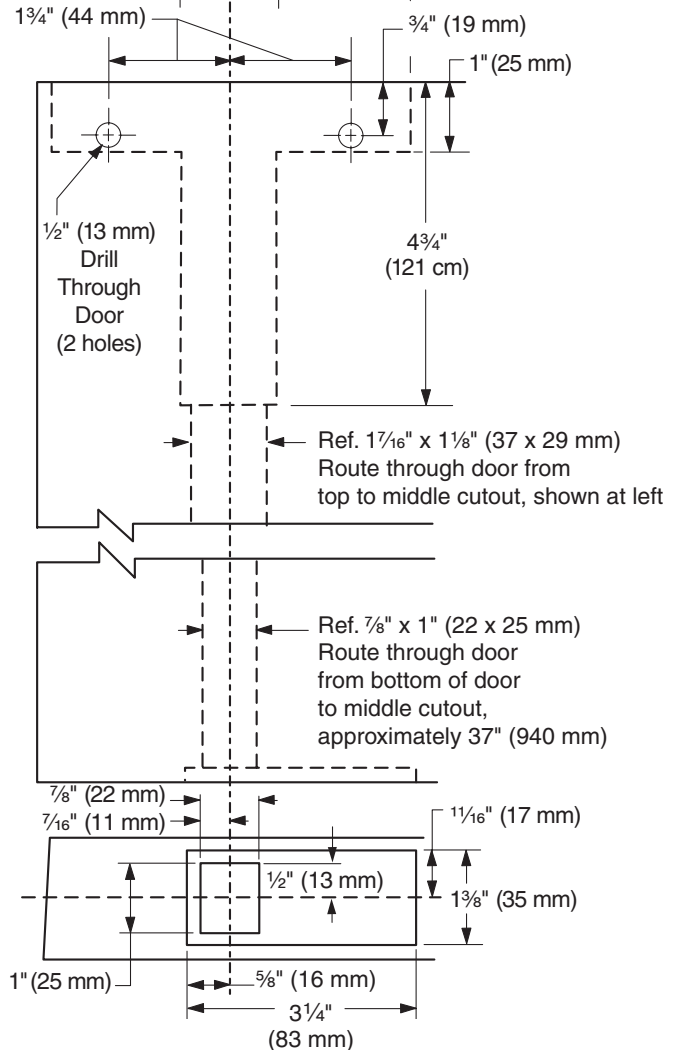
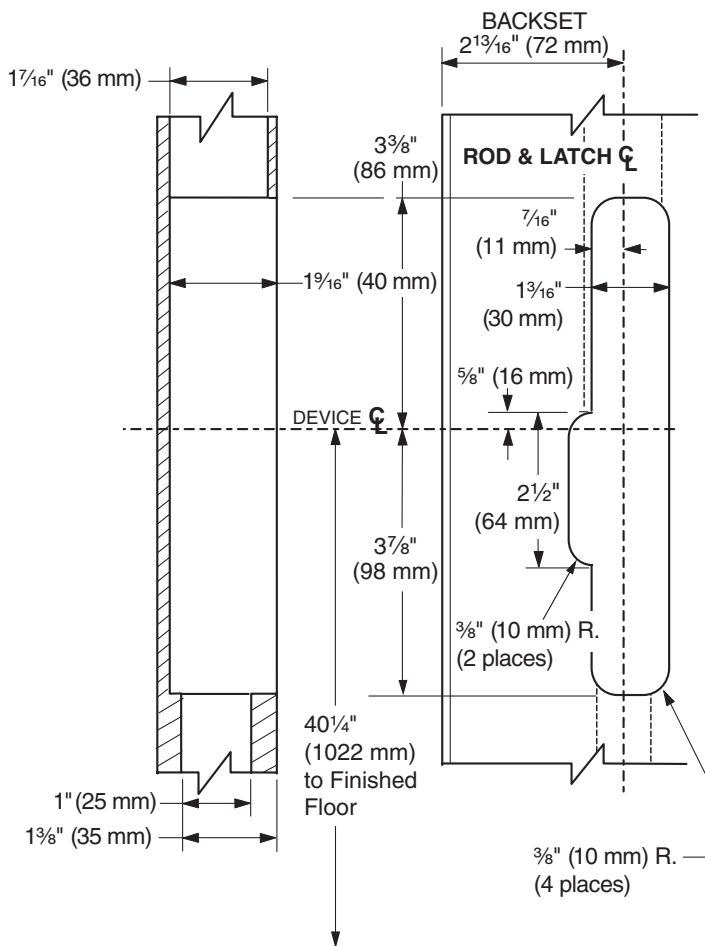
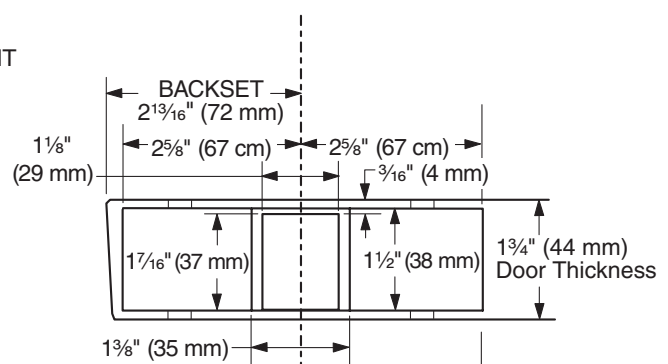
(F)17-C and (F)18-C Concealed Vertical Device

Concealed Vertical Rod Panic and Fire Exit Device With Metal Edge 5" Stile, Wood Door, LHR Shown, RHR Opposite

RELEASE PLUNGER DETAIL



ROD & LATCH



- For outside trim, see trim template for door preparation.
- See Template W-1150 for steel door wrap preparation.
- For Less Bottom Rod (LBR) application (20 minute rating only), refer to Template W-5494 for auxiliary fire latch preparation.

TEMPLATE
W-1152-a