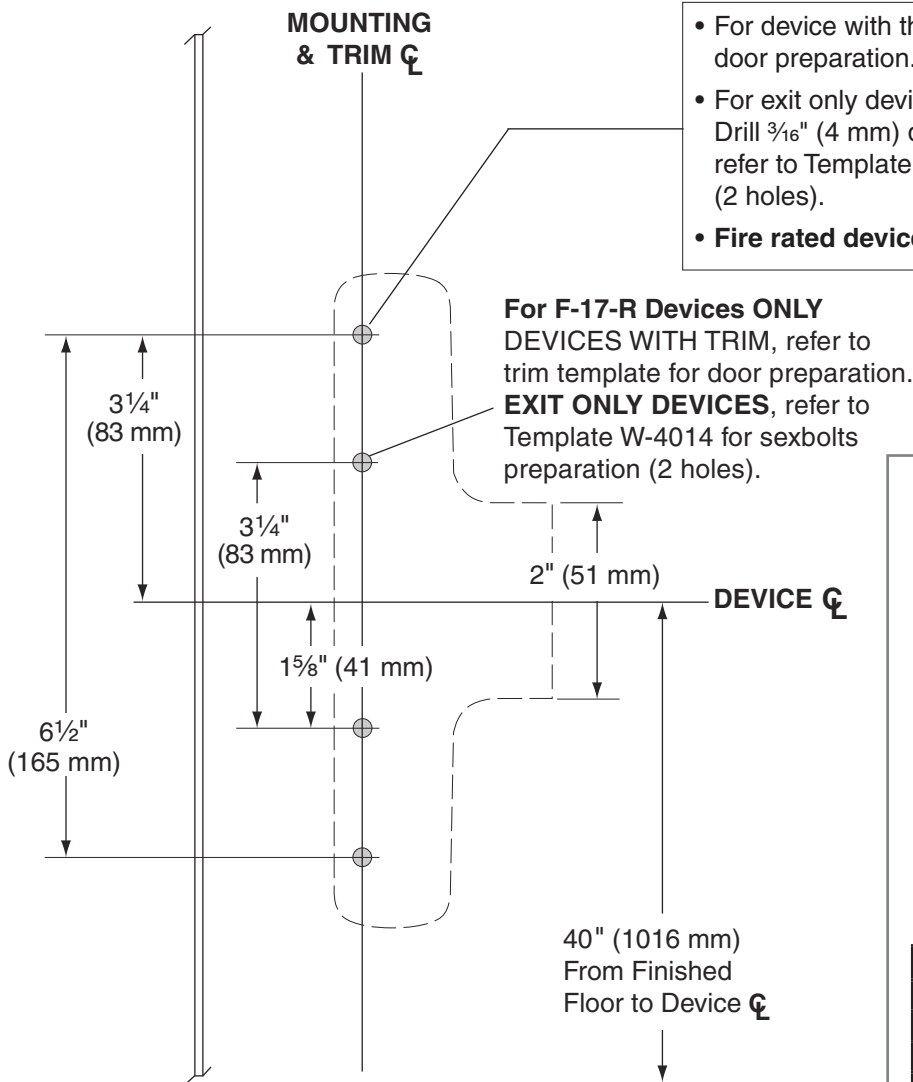


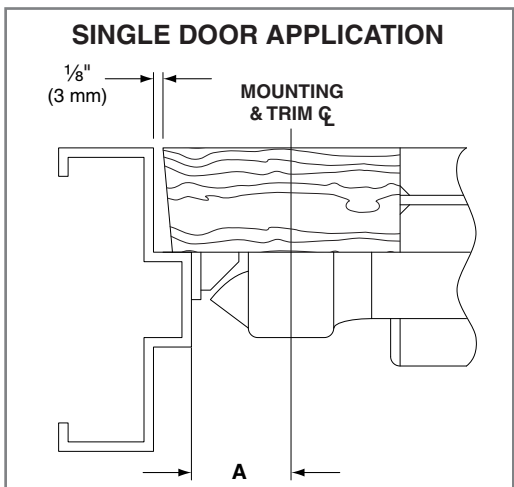
(F)17-R Rim Device

Rim Panic and Fire Exit Device, Wood Door, LHR Shown, RHR Opposite



- For device with thrubolting trim, refer to trim template for door preparation.
- For exit only device or device with non-thrubolting trim: Drill 3/16" (4 mm) diameter hole x 1 1/4" (32 mm) deep, or refer to Template W-4014 for sexbolt preparation (2 holes).
- Fire rated devices require sexbolts.

For F-17-R Devices ONLY
DEVICES WITH TRIM, refer to trim template for door preparation.
EXIT ONLY DEVICES, refer to Template W-4014 for sexbolts preparation (2 holes).



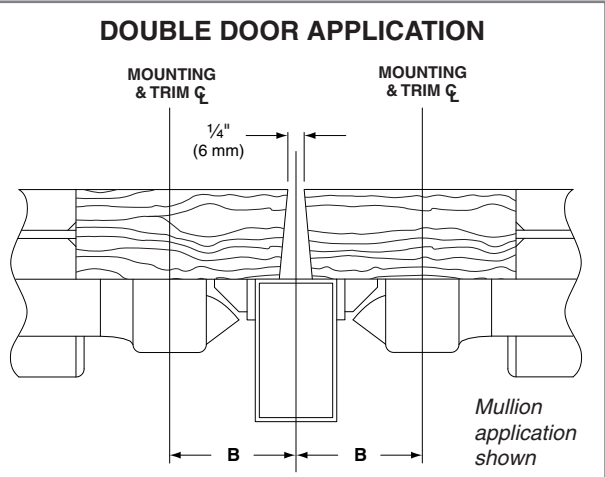
Strike	Installed	Min. Stile	A
565	Surface	2 3/4"	1 1/8"
565*	Flush	1 3/4"	3/4"
570	Surface	3 1/2"	1 7/16"
579	Surface	2 7/8"	1 3/16"
490	Surface	3 1/2"	1 7/16"
F-570	Surface	3 1/2"	1 7/16"
F-490	Surface	3 1/2"	1 7/16"

* Strike for use with 1/2" stop height.

- For sexbolt preparation, refer to Template W-4014.
- For outside trim, see trim template for door preparation.

Strike	Installed With	Min. Stile	B
565	2923 Mullion	3"	1 7/8"
565	4023 Mullion	3 1/4"	2 1/8"
570	2923 Mullion	3 1/2"	2 3/16"
570	4023 Mullion	4"	2 7/16"
579	2923 Mullion	2 1/2"	1 9/16"
579	4023 Mullion	2 3/4"	1 13/16"
490	2923 Mullion	3 1/2"	2 3/16"
490	4023 Mullion	4"	2 7/16"
4396	4423 Mullion	1 3/4"	1 1/8"
571	17 Vertical	3 1/2"	2 3/16"
571-A	17 Vertical	3"	1 11/16"

Note: 571 and 571-A strikes are not approved for fire rated applications.



TEMPLATE
W-1120-a